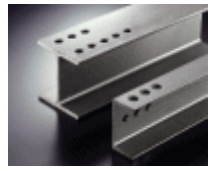




HANDY PUNCHERS

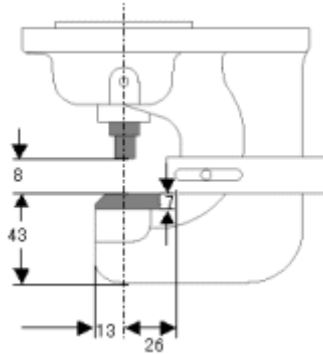


SANKO

DIAMOND

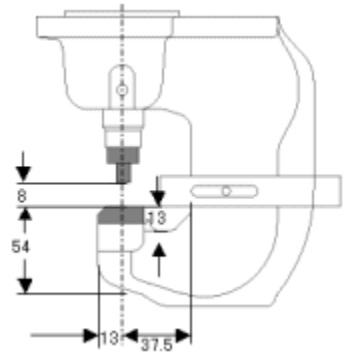
EP-1406V

The smallest and lightest (8.0kg) model. Intended primarily for flat bars and angle bars, Covers punch/die ranges A,B,E. Comes with 11mmΦ punch & die set, side handle, tool kit, stand and steel carrying case.



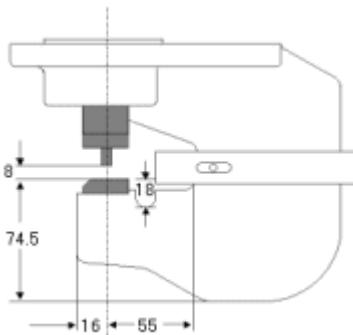
EP-1475V

Similar to EP-1406V but with larger throat for bigger work pieces. Covers punch/die ranges A,B,E. Comes with 11mm Φ punch & die set, side handle, tool kit, stand and steel carrying case.



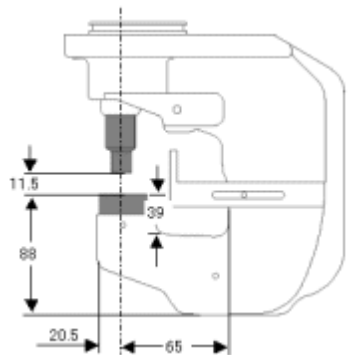
EP-19V

Our mid-sized model with a throat depth of 55mm. Suitable for channel bars as well as flat and angle bars. Covers punch/die ranges B,C,E,F. Comes with 11mmΦ punch & die set, side handle, tool kit, stand and steel carrying case.



EP-2110V

Heavy duty model for bars up to 10mm thick. Ideal for all popular bar configurations including H beams. Punch/die sets available in three series (AH, WH & W) to accommodate channel bars and H beams of widely differing dimensions. Comes with 14mm Φ punch & die set, sidehandle, tool kit, stand and steel carrying case.

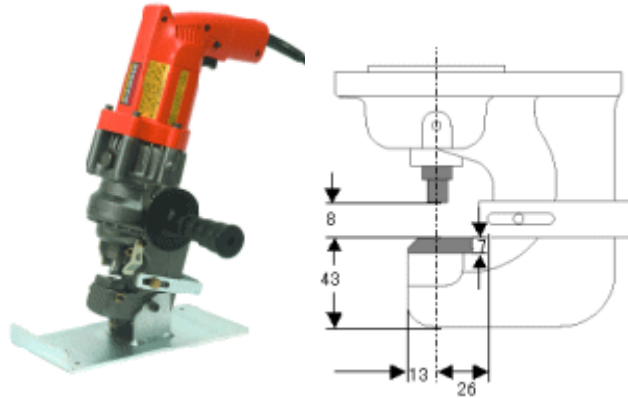


SPECIFICATIONS

*ราคายังไม่รวมภาษีมูลค่าเพิ่ม

Model		EP-1406V	EP-1475V	EP-19V	EP-2110V
Max hole size	round	14mm Φ	14mm Φ	19mm Φ	21mm Φ
	elliptical	11x16.5mm	11x16.5mm	14x21mm	18.2x22mm
Max material thickness	Fe. Al.	6mm	6mm	6mm	10mm
	stainless	5mm	5mm	5mm	6mm
Throat depth		26.0mm	37.5mm	55.0mm	65.0mm
Power supply		AC 115V/230V/240V	AC 115V/230V/240V	AC 115V/230V/240V	AC 115V/230V/240V
Dimensions*		124X175X381mm	124X175X421mm	133X195X484mm	138X217X554mm
Weight*		8.0 kg	10.0 kg	14.5 kg	21.2 kg

*excluding side handle & stand



	PUNCH / DIE SIZES & MAXIMUM MATERIAL THICKNESSES	
--	---	---

ROUND HOLES

RANGE A

Diameter		3.4	4.2	5.0	5.5
Max. thickness	Fe, Al	1.6	2.3	3.2	4.0
	Stainless	-	-	-	-

RANGE B

Diameter		6.0	6.5	8.0	8.5	10	11	12	13	14
Max. thickness	Fe, Al	6								
	Stainless	3	4	5						

RANGE C

Diameter		15	16	17	18	18.5	19
Max. thickness	Fe, Al	6					
	Stainless	5					

RANGE D

Diameter		10	11	13	14	15	17	18	19	21
Max. thickness	Fe, Al	6	9	10						
	Stainless	6								

ELLIPTICAL HOLES

ANGLE E

Diameter	8.5X10	6.5X13	8.5X13	9X13.5	10X15	11X16.5
Max. thickness Fe, Al	6					

ANGLE F

Diameter	8.5X17	9X18	10X20	12X18	14X19.5	14X21
Max. thickness Fe, Al	6					

ANGLE G

Diameter	9X13.5	9X16	10X15	10X18	11X16.5	13X19	14X19.5	16.5X20	18.2X22
Max. thickness Fe, Al	6		9			10			

- N.B** (1) Punch / die sets of other sizes available on request
 (2) Die nomenclature includes an A or B prefix (SA or SB for stainless steel) indicative of material thickness.
CONSULT WITH YOUR DEALER BEFORE ORDERING



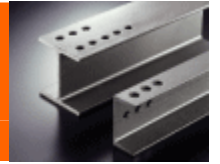
Foot Switch (option)
for EP-1406V ,
EP-1475V
EP-19V



Foot Switch (option)
for EP-2110V



Steel carrying case
(standard)



SIZE OF MATERIAL

SHAPE OF MATERAIL	SIZE OF MATERIAL	MODEL OF HANDY PUNCHERS								
		EP-1406V		EP-1475V		EP-19V		EP-2110V		
	B									
	25	O		O		O		O		
	50	O		O		O		O		
	65	-		O		O		O		
	75	-		O		O		O		
	100	-		-		-		O		O
	125	-		-		-		-		O
	A X B	EP-1406V		EP-1475V		EP-19V		EP-2110V		
	25 X 25	O		O		-		-		
	30 X 30	O		O		-		-		
	40 X 40	O		O		O		-		
	50 X 50	O		O		O		O		
	65 X 65	-		O		O		O		
	75 X 75	-		O		O		O		
	90 X 90	-		-		-		O		O
	100 X 100	-		-		-		-		O
130 X 130	-		-		-		-		O	
	H X B	EP-1406V		EP-1475V		EP-19V		EP-2110V		
		H	B	H	B	H	B	H	B	
	75 X 40	-	O	O	O	-	O	O	-	
	100 X 50	-	-	-	-	-	O	O	O	
	125 X 65	-	-	-	-	-	-	O	O	
	150 X 75	-	-	-	-	-	-	-	O	
	H X B	EP-1406V		EP-1475V		EP-19V		EP-2110V		
		H	B	H	B	H	B	H	B	
	60 X 30	-	-	O	-	O	-	O	-	
	75X45	-	-	O	-	-	-	O	-	
	90X45	-	-	-	-	-	-	O	O	
	100X50	-	-	-	-	-	O	O	-	
	420X60	-	-	-	-	-	-	O	O	
150X75	-	-	-	-	-	-	-	O		
	H X B	EP-1406V		EP-1475V		EP-19V		EP-2110V		
		H	B	H	B	H	B	H	B	
	100 X 50	-		-		-		O		
	100 X 100	-		-		-		-	O	
	125 X 125	-		-		-		-	O	
	150 X 75	-		-		-		O		
	150 X 150	-		-		-		O	O	
	175 X 90	-		-		-		O		
	200 X 100	-		-		-		O		
	250 X 125	-		-		-		O	O	
300 X 150	-		-		-		O	O		
346 X 174	-		-		-		O	O		