

# REBAR STRAIGHTENER



## DBR-32HD



## DIAMOND®



### SPECIFICATION

|                       |                        |
|-----------------------|------------------------|
| MODEL                 | DBR-32HD               |
| Power Supply          | 100V / 115V / 230V AC  |
| Wattage               | 1330W / 2000W          |
| Motor                 | Double insulated motor |
| Max. rebar dia.       | 32mm                   |
| Bending speed         | 12 sec. / 90°          |
| Bending radius        | R.25mm                 |
| Max. tensile strength | 620 N/mm <sup>2</sup>  |
| Bending angle         | Up to 150°             |
| Dimensions (LxWxH)    | 686 x264x 217 mm       |
| Weight                | 27.8 Kg                |



PUSH



PULL

Change rollers according to rebar diameter.

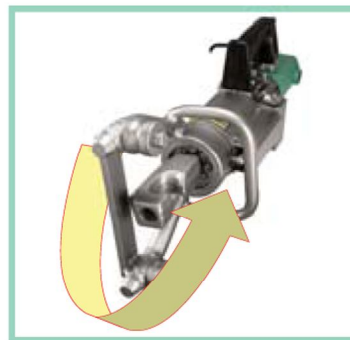
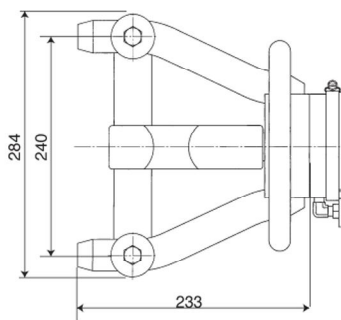


\*Rollers 50 (Ø50.0mm) are for D25.0 to D32.0mm rebars



\*Rollers 68 (Ø68.0mm) are for D13.0 to D20.0mm rebars

### ■ Dimension drawing (DBR-32HD)



■ The tool can rotate the housing unit according to the working condition. Please change the direction of the bending hook (photo) to it when If turned Housing unit.

| Rebar Diameter | Straightening capacity |      | Bending capacity |      |
|----------------|------------------------|------|------------------|------|
|                | Push                   | Pull | Push             | Pull |
| D13            | 133°                   | 128° | 90°              | 90°  |
| D16            | 136°                   | 130° | 90°              | 90°  |
| D19            | 139°                   | 132° | 90°              | 90°  |
| D25            | 144°                   | 137° | 90°              | 90°  |
| D29            | 148°                   | 140° | 90°              | 90°  |
| D32            | 150°                   | 142° | 90°              | 90°  |